

BLINDS *please.*

Woven Wood Shades

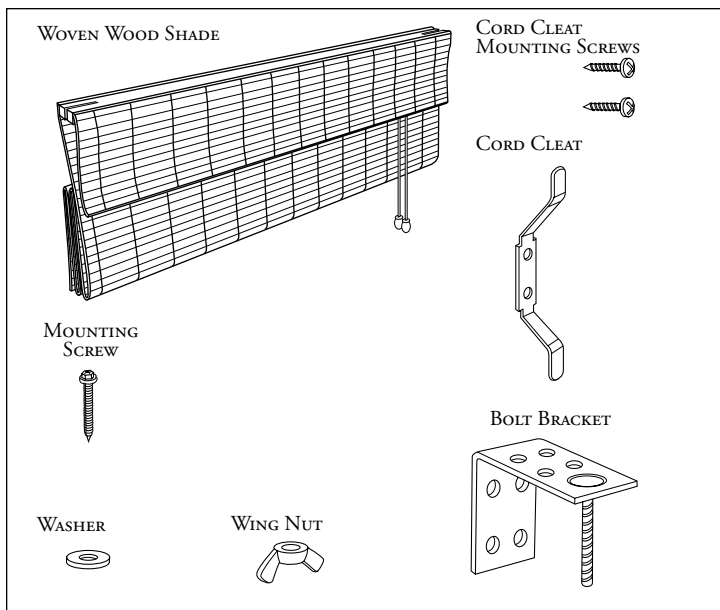
For installation, you will need the following tools:

1. Pencil
2. Phillips screwdriver
3. Drill w/ 3/32" bit (recommended)

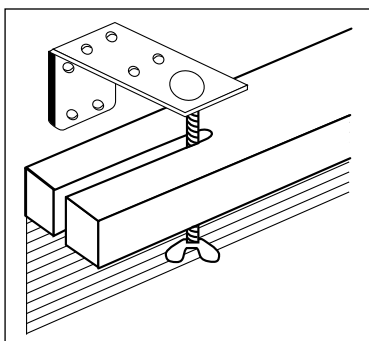
Your Woven Wood shade comes with the following components:

Bolt Brackets (see chart below) Wing Nuts
Washers Mounting Screws
Cord Cleats & Mounting Screws

Number of Brackets	For Widths
2	8" - 48"
3	48 1/8" - 72"
4	72 1/8" - 96"

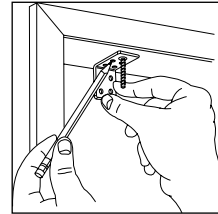


- 1 Unroll cord controls and lower the shade. Place the brackets on the headrail by inserting the bracket bolts into the slots on the headrail. Secure bolts with supplied wing nuts.

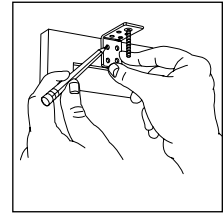


- 2 Place the shade and brackets at desired position. Mark the location of the brackets in the window opening with a pencil. Ensure that all brackets are aligned.

- 3 Remove brackets from your shade. Align the brackets to the pencil marks made in Step 2. Mark desired screw holes. Drill at each mark. Mount brackets with supplied screws.

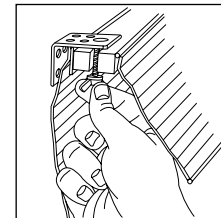


Inside Mount



Outside Mount

- 4 Attach the shade to its brackets by inserting the bracket bolts into the slots on the headrail. Place wing nut on each bolt and tighten. Ensure that the blind is centered to the window.



- 5 **OPTIONAL: INSTALL CORD CLEAT**
Although the cord cleat is an option, we recommend its use to improve child safety. Find a convenient location for the cord cleat a few inches from the side of the shade that the cord lock is on. The location should be high enough that it is out of the reach of young children. Hold the cord cleat up parallel to the shade and make pencil marks in the holes. Drill at each mark. Mount the cleat with the 2 screws provided. Once installed, wind the cords around the cleat in figure eights.

SHADE OPERATION

Lift Control: Pull lift cords to center of shade to lower. Pull straight down on lift cords to raise. Pull cord down and to the right to lock shade in place.

PROPER CARE OF WOVEN WOOD SHADES

Woven Wood Shades are made of the highest quality material for extended wear. If it is not damaged or exposed to a great deal of direct sunlight, it is not unrealistic to expect years of enjoyment with minimal care. Raising and lowering shades periodically helps to reduce most natural dust accumulation. If additional cleaning is desired, shades can be lightly brushed or carefully cleaned with a soft vacuum brush attachment.

ITEM NUMBER:01-0009-000