

# BLINDS *please.*

## Faux Wood Blinds INSIDE MOUNT

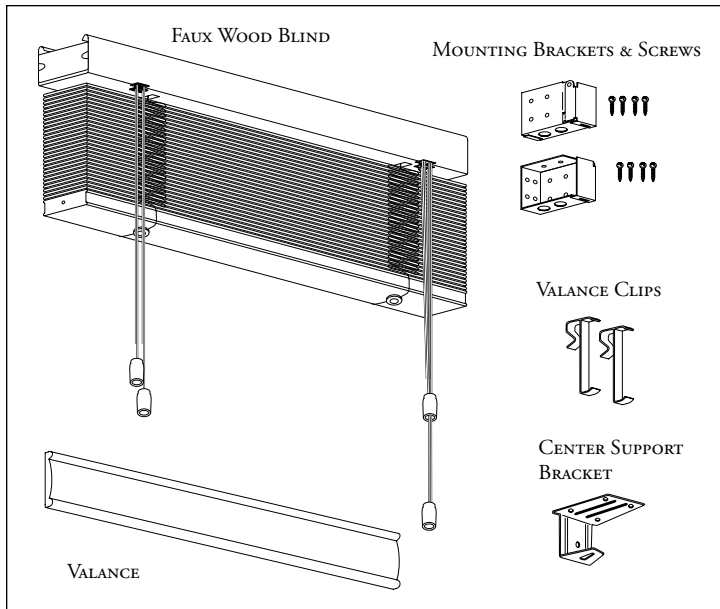
For installation, you will need the following tools:

1. Pencil
2. Phillips screwdriver
3. Steel tape measure
4. Drill with 3/32" bit (recommended)

Your Faux Wood blinds come with the following components:

- Faux Wood Blind
- Mounting Brackets & Screws
- Valance
- Valance Clips
- Center Support Brackets (see chart below)

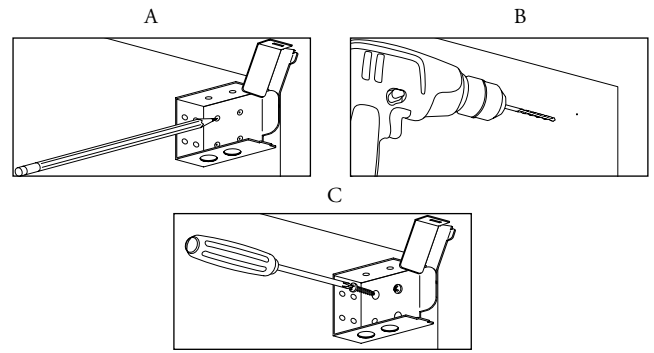
Number of Supports	For Widths Over
1	48"
2	96"



**1** The mounting brackets are designed with a series of holes to allow for different mounting conditions and window types. For standard installation the front of the bracket should be flush with the wall, and should open from the front with the doors swinging upwards.

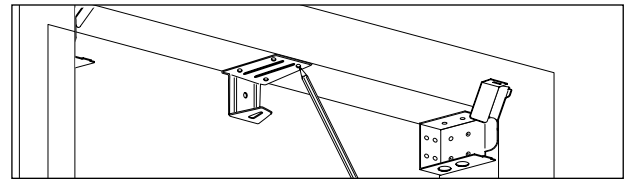
Identify left headrail and right headrail brackets; open. Note: For flush valance mount, align back of brackets 3" in from front of window opening.

A) Hold each bracket in corner of window frame. Mark screw holes. B) Drill at each mark. C) Mount brackets.

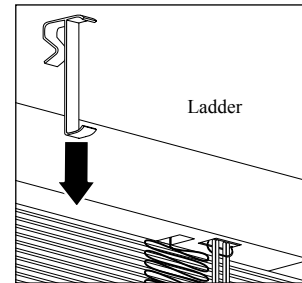


When center support brackets are provided, space support brackets evenly along headrail. Position each bracket so it will not interfere with mechanisms inside the headrail. Align rear of support brackets with rear of mounting brackets.

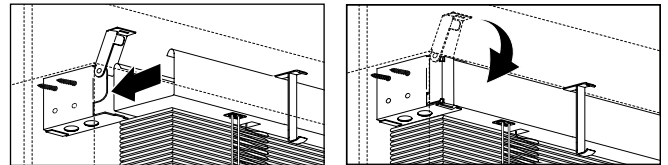
Mark support bracket screw holes, then drill at marks and mount the support bracket.



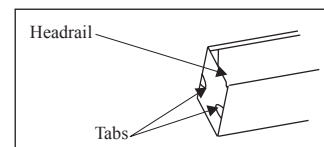
**2** Before inserting the blind into the mounting brackets, attach the valance clips to the headrail. Simply snap valance clips onto the front of the headrail and space them evenly across the blind.



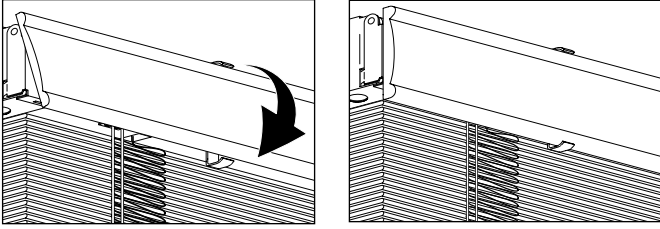
Insert blind into brackets, clipping the headrail into center supports (if present). Close mounting bracket doors.



If headrail moves left or right in brackets more than 1/8", bend out tabs on end stiffeners for tighter fit.



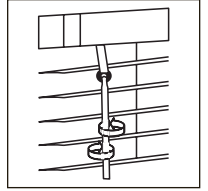
**3** Attach valance to valance clips by inserting the top edge first, then press bottom edge into place.



## **OPERATING INSTRUCTIONS**

### **Optional Wand Tilt**

Turn wand to tilt slats to desired angle.

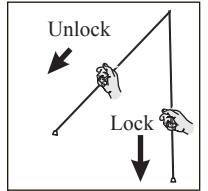


### **Cord Tilt**

Pull cord down on left to close slats.  
Pull cord down on right to open slats.

### **Lift Control**

Pull lift cords to center of blind to lower.  
Pull straight down on lift cords to raise.  
*Note: Keep slats open (not tilted) while raising and lowering.*



## **PROPER CARE OF FAUX WOOD BLINDS**

Use a damp cloth to clean slats.

# BLINDS *please.*

## Faux Wood Blinds OUTSIDE MOUNT

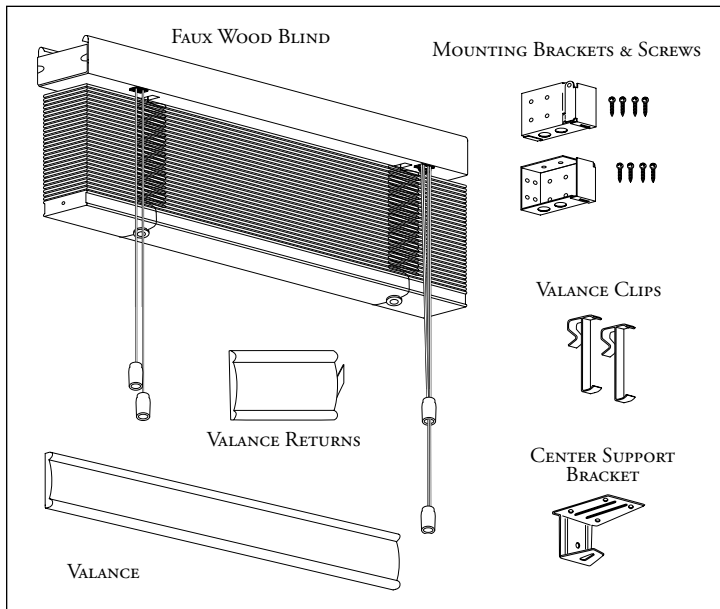
**For installation, you will need the following tools:**

1. Pencil
2. Phillips screwdriver
3. Steel tape measure
4. Drill with 3/32" bit (recommended)

**Your Faux Wood blinds come with the following components:**

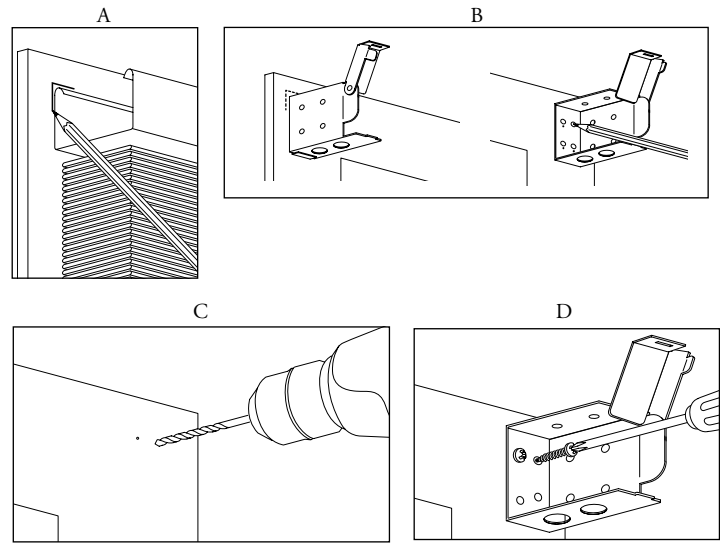
- |   |                            |
|---|----------------------------|
| Faux Wood Blind                           | Mounting Brackets & Screws |
| Valance                                   | Valance Clips              |
| Valance Returns                           |                            |
| Center Support Brackets (see chart below) |                            |

Number of Supports	For Widths Over
1	48"
2	96"

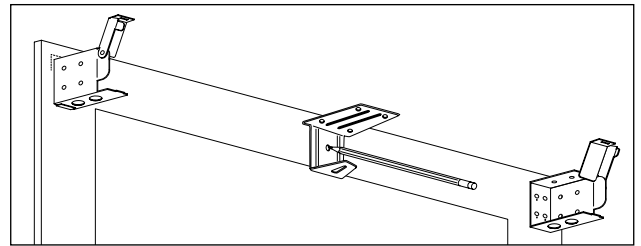


**1** The mounting brackets are designed with a series of holes to allow for different mounting conditions and window types. For standard installation the brackets should be placed at least 1 1/2" above the window opening.

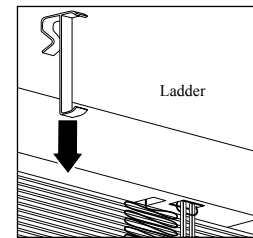
A) Center headrail over window and mark corner at each end, ensuring blind is level. B) Identify right headrail and left headrail brackets; open. Then align to marks made in step A. Mark screw holes. C) Drill holes (then insert wall anchors if necessary). D) Mount brackets with supplied screws.



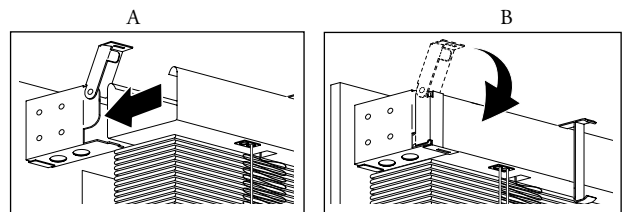
When center support brackets are provided, space support brackets evenly along headrail. Position each bracket so it will not interfere with mechanisms inside the headrail. Align top of support bracket with tops of mounting brackets. Mark support bracket screw holes, then drill at marks. Mount support brackets.



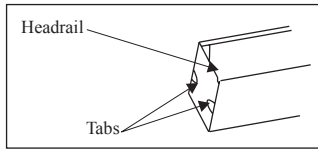
**2** Before inserting the blind into its mounting brackets, attach the valance clips to the headrail. Snap the valance clips onto the front of the headrail and space them evenly.



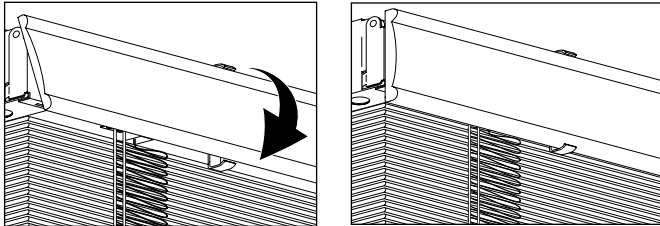
A) Insert blind into brackets, clipping the headrail into center supports (if present). B) Close mount bracket doors.



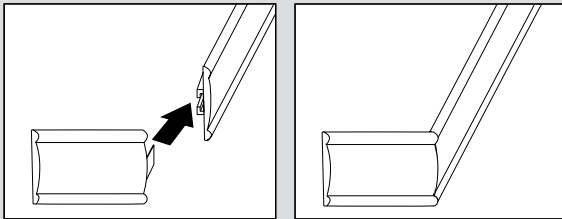
If headrail moves left or right in brackets more than 1/8", bend out tabs on end stiffeners for tighter fit.



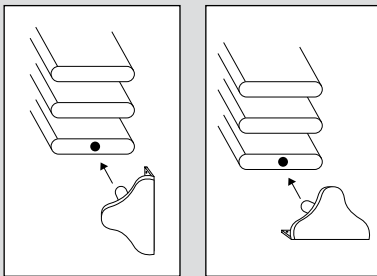
**3** Attach valance to valance clips by inserting the top edge first, then press bottom edge into place.



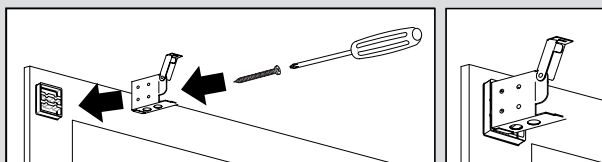
**4** **OPTIONAL VALANCE RETURNS**  
Insert metal return bracket (on valance return), into the slot on the back of the valance.



**5** **OPTIONAL HOLD DOWN BRACKETS**  
Insert half of the hold down bracket's pin into bottomrail end plug; repeat for other end. Mark location of hold down brackets. Move bottomrail out of the way and screw the brackets to the mounting surface. Insert one end of the bottomrail into one hold down bracket, then insert other end.



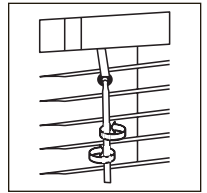
**6** **OPTIONAL BRACKET SPACERS**  
Insert screws through holes of mounting bracket and bracket spacer, aligning the mounting bracket with the bracket spacer. Make sure screws align with the hole marked/drilled in the wall, and secure.



## **OPERATING INSTRUCTIONS**

### **Optional Wand Tilt**

Turn wand to tilt slats to desired angle.



### **Cord Tilt**

Pull cord down on left to close slats.

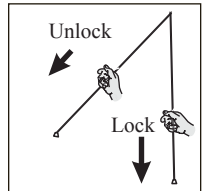
Pull cord down on right to open slats.

### **Lift Control**

Pull lift cords to center of blind to lower.

Pull straight down on lift cords to raise.

*Note: Keep slats fully open (not tilted) while raising or lowering*



## **PROPER CARE OF FAUX WOOD BLINDS**

Use a damp cloth to clean slats.